

0CNP6-M01160EN

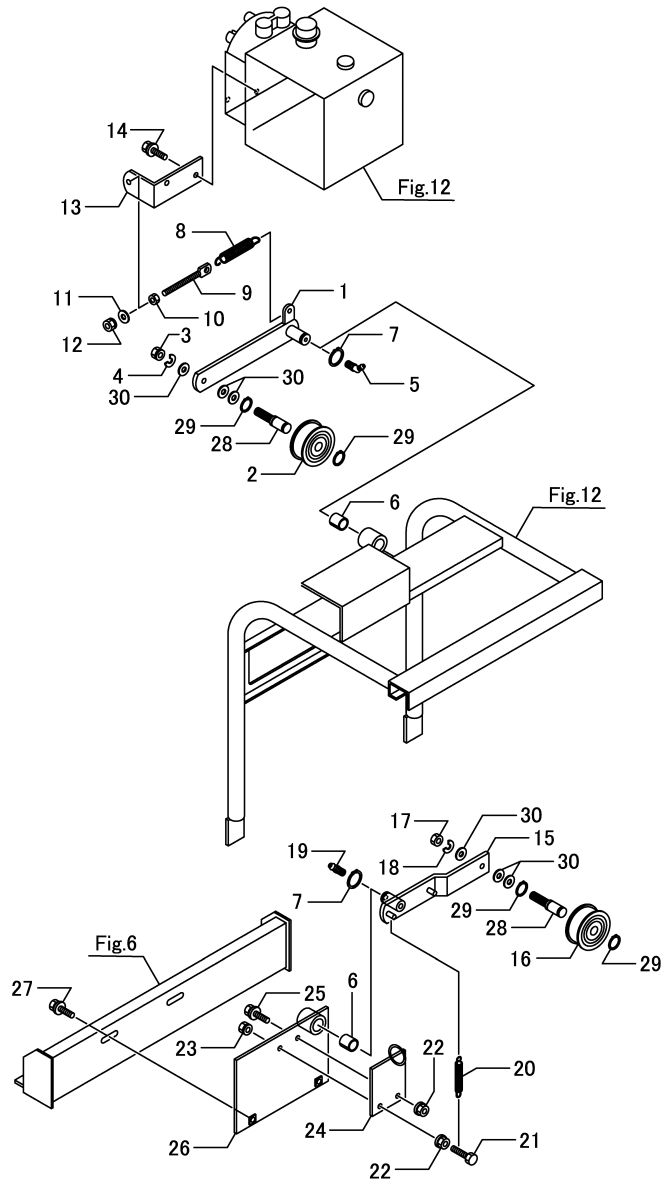
Contents

OCNP6-M01160

Fig. No.	Fig. Name
PULLEY & TENSION	
1.	TENSION ARM
2.	PULLEY
FRAME	
3.	BODY FRAME
TRAVELING(1)	
4.	IDLER
5.	TRACK ROLLER
CONTROL	
6.	HANDLE
7.	TRAVEL CLUTCH LEVER
8.	BRAKE LEVER
9.	HST LEVER
10.	SIDE CLUTCH LEVER
11.	HST TANK
PLATFORM CARRIER	
12.	HYDRAULIC PUMP
13.	HYDRAULIC CYLINDER
14.	PANTAGRAPH
15.	PLATFORM CARRIER
16.	DUMP CHANGE LEVER

Fig. No.	Fig. Name
TOOL,ACCESSORY & LABEL	
17.	LABEL & ACCESSORIES
TRAVELING(2)	
18.	TRANSMISSION CASE
19.	MAIN SHAFT
20.	BEVEL SHAFT
21.	TRANSMISSION SHAFT
22.	SIDE CLUTCH SHAFT
23.	AXLE SHAFT
24.	BRAKE
25.	SIDE CLUTCH

Fig.1. TENSION ARM

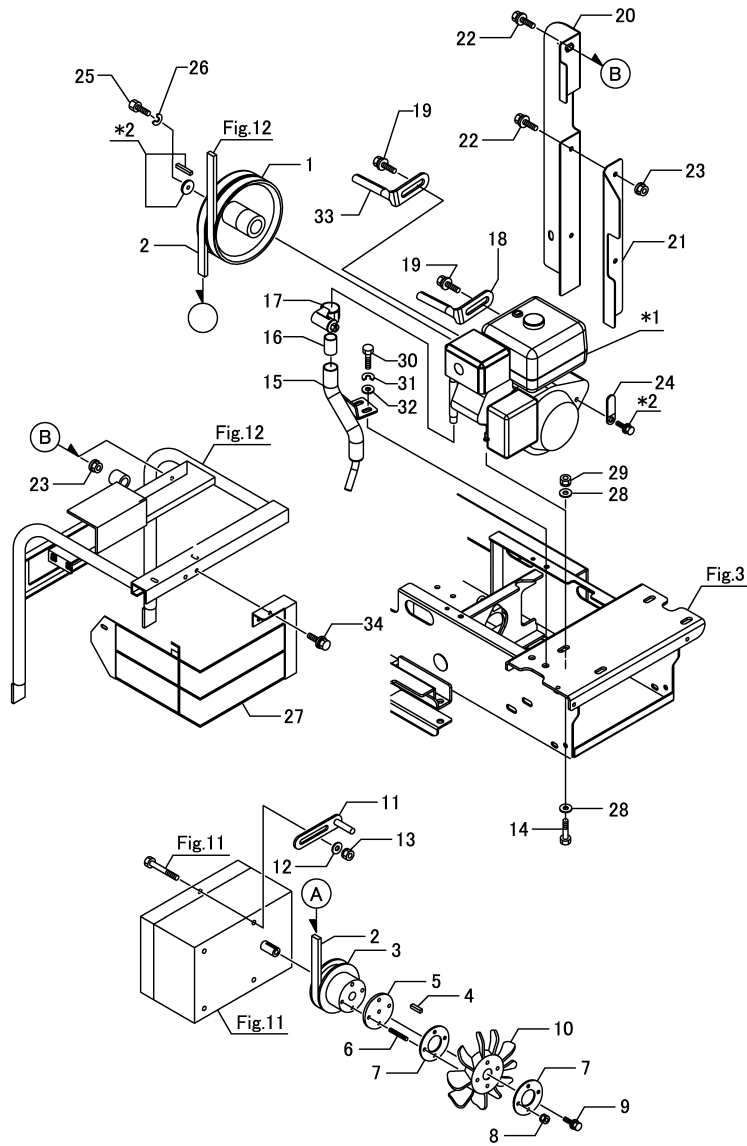


(A)=MC1210FLD,PQ
(B)=
(C)=

(D)=
(E)=
(F)=

No.	Lev.	Parts No.	Description	Q'ty						I	R
				(A)	(B)	(C)	(D)	(E)	(F)		
1	1	1N1995-41490	ARM, TENSION	1							
2	1	1N1995-41460	IDLER	1							
3	1	26717-120002	NUT, M12	1							
4	1	22217-120000	WASHER, SPRING 12	1							
5	1	1N1530-24300	NIPPLE B-M6F,GREASE	1							
6	1	1N3513-61100	BUSH	2							
7	1	22242-000180	RING, 18	2							
8	1	1N1070-53000	SPRING,SD.CLTCH.LVR.	1							
9	1	1N1360-22090	SCREW 8X94,ADJUST	1							
10	1	26757-080002	NUT, LOCK M8	1							
11	1	22137-080000	WASHER, 8	1							
12	1	26051-080002	NUT, M8	1							
13	1	1N1995-41390	HOOK, SPRING	1							
14	1	26018-080164	BOLT M 8X 16	2							
15	1	1N1995-41470	ARM,MAIN CLUTCH	1							
16	1	1N1995-41460	IDLER	1							
17	1	26717-120002	NUT, M12	1							
18	1	22217-120000	WASHER, SPRING 12	1							
19	1	24761-010000	NIPPLE, GREASE M6F	1							
20	1	1N1151-53000	SPRING 12.5X54,TENS.	1							
21	1	26117-060354	BOLT M 6X 35 PLATED	1							
22	1	26367-060002	NUT, M6	2							
23	1	26051-060002	NUT, M6	1							
24	1	1N1995-41420	SHOE, HOSE	1							
25	1	26018-060164	BOLT M 6X 16	1							
26	1	1N1995-41340	BRACKET,CLUTCH	1							
27	1	26018-080204	BOLT M 8X 20	2							
28	1	1N1995-41450	SHAFT,IDLER	2							
29	1	22242-000150	RING, 15	4							
30	1	22137-120000	WASHER, 12	6							

Fig.2. PULLEY



(A)=MC1210FLD,PQ

(B)=

(C)=

(D)=

(E)=

(F)=

No.	Lev.	Parts No.	Description	Q'ty						I	R
				(A)	(B)	(C)	(D)	(E)	(F)		
1	1	1N1995-21030	PULLEY,ENGINE	1							
2	1	25123-003201	V-BELT, B32H	1							
3	1	1N3508-21000	PULLEY	1							
4	1	22550-050250	KEY 5X25	1							
5	1	1N3516-21020	RETAINER,PULLEY	1							
6	1	1N3516-41720	BOLT M6X60	4							
7	1	1N3507-21030	STOPPER(B)	2							
8	1	26051-060002	NUT, M6	4							
9	1	26018-060164	BOLT M 6X 16	1							
10	1	1N3508-24010	FAN	1							
11	1	1N1291-22020	GUARD 40,BELT	2							
12	1	22137-080000	WASHER, 8	6							
13	1	26051-080002	NUT, M8	6							
14	1	1N3521-68080	BOLT M10X 50 11T	4							
15	1	1N1995-11100	PIPE, EXHAUST	1							
16	1	1N3545-21080	GUARD	1							
17	1	1N3545-21090	HOSE BAND	1							
18	1	1N1210-22040	GUIDE 70,BELT	1							
19	1	26018-080164	BOLT M 8X 16	2							
20	1	1N1995-58560	COVER B,BELT	1							
21	1	1N1995-58550	COVER A,BELT	1							
22	1	26018-060164	BOLT M 6X 16	4							
23	1	26367-060002	NUT, M6	4							
24	1	1E6020-83890	CLIP	1							
25	1	26116-080304	BOLT, M8X 30 PLATED	1							
26	1	22217-080000	WASHER, SPRING 8	1							
27	1	1N1995-58270	MUFFLER GURD	1							
28	1	22137-100000	WASHER, 10	8							
29	1	26051-100002	NUT, M10	4							
30	1	26116-080254	BOLT, M8X 25 PLATED	2							
31	1	22217-080000	WASHER, SPRING 8	2							
32	1	22137-100000	WASHER, 10	2							
33	1	1N1466-22000	GUIDE 75,BELT	1							
34	1	1N1291-58080	BOLT 6X16 W/P&SW.	4							

Remarks

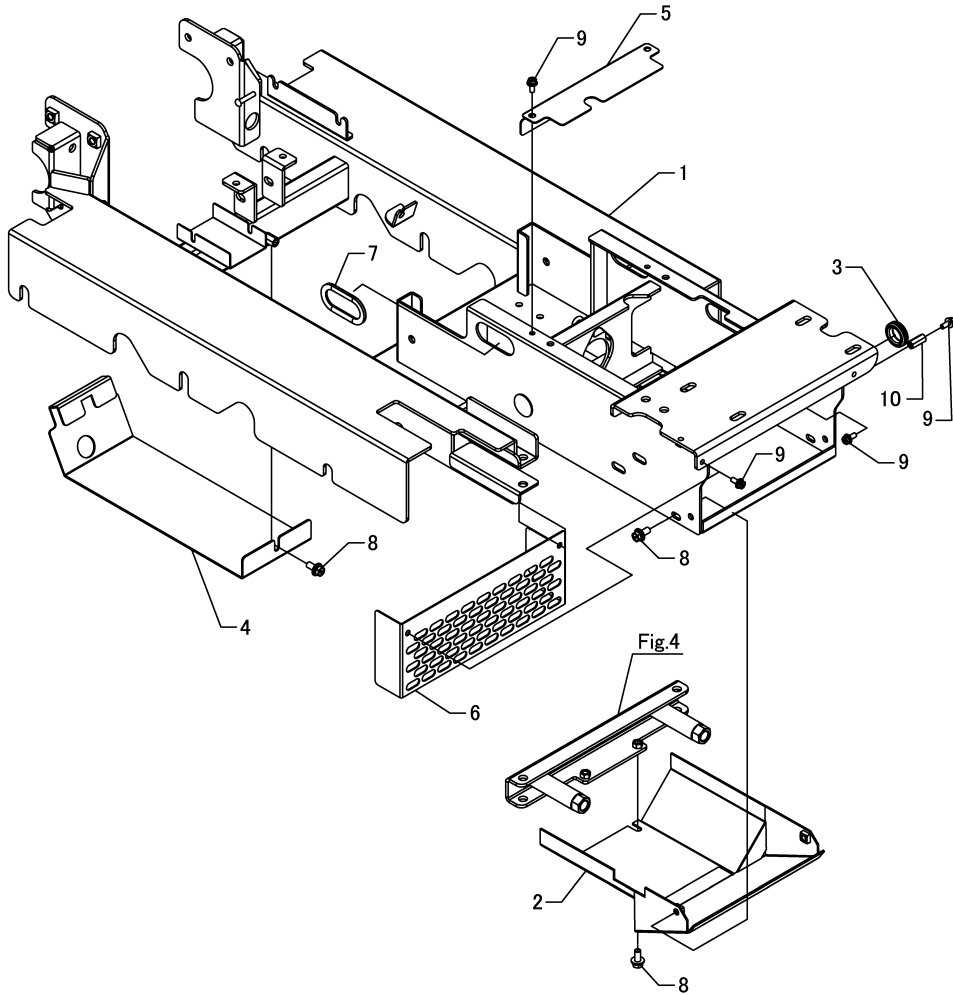
*1. Engine. (GB300LN-205)

*2. Engine parts.

Fig.3. BODY FRAME

(A)=MC1210FLD,PQ
(B)=
(C)=

(D)=
(E)=
(F)=

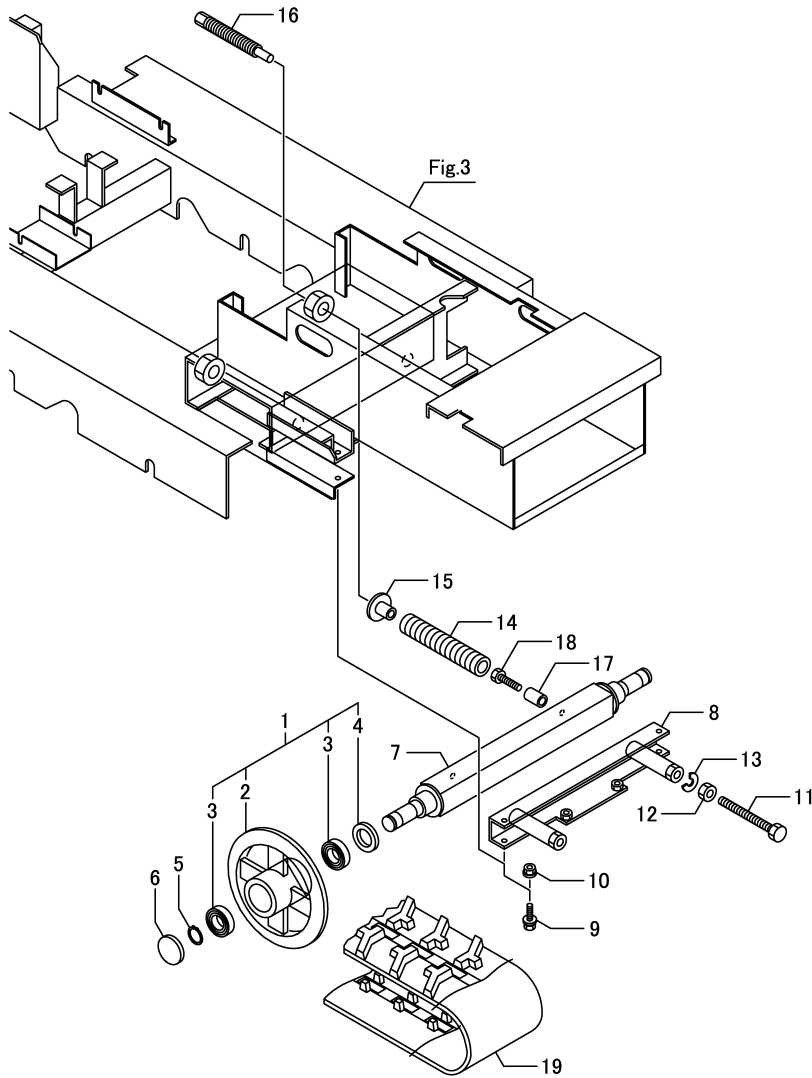


No.	Lev.	Parts No.	Description	Q'ty						I	R
				(A)	(B)	(C)	(D)	(E)	(F)		
1	1	1N1995-31460	MAIN FRAME	1							
2	1	1N1995-58021	GURD,UNDER R	1							
3	1	1N1185-53010	GROMMET 35	1							
4	1	1N1995-58010	GURD,UNDER F	1							
5	1	1N1995-58420	COVER	1							
6	1	1N1995-58460	COVER,FAN	1							
7	1	1N1185-53000	GROMMET 70	2							
8	1	26018-080204	BOLT M 8X 20	5							
9	1	26018-060164	BOLT M 6X 16	8							
10	1	1N1995-58320	NUT M6X25	1							

Fig.4. IDLER

(A)=MC1210FLD,PQ
(B)=
(C)=

(D)=
(E)=
(F)=



No.	Lev.	Parts No.	Description	Q'ty						I	R
				(A)	(B)	(C)	(D)	(E)	(F)		
1	1	7N3542-35000	FLOAT RING ASSY.	2							
2	2	1N3503-35070	WHEEL, IDLE	2							
3	2	24101-060054	BEARING, BALL 6005	4							
4	2	24421-354707	SEAL, OIL TC354707	2							
5	1	22242-000250	RING, 25	2							
6	1	1N3506-35020	SEAL CAP	2							
7	1	1N1995-35040	SHAFT, FRONT IDLER	1							
8	1	1N1995-37000	HINGE	1							
9	1	26018-100254	BOLT M10X 25	4							
10	1	26367-100002	NUT, M10	4							
11	1	26117-161504	BOLT, M16X150 PLATED	2							
12	1	26757-160002	NUT, LOCK M16	2							
13	1	22217-160000	WASHER, SPRING 16	2							
14	1	1N1995-35010	SPRING	2							
15	1	1N1995-35030	SEAT, SPRING	2							
16	1	1N1995-35060	SCREW	2							
17	1	1N1995-68060	GUIDE, SPRING	2							
18	1	1N1995-35080	BOLT M12X45	2							
19	1	1N1995-37020	CRAWLER	2							

Fig.5. TRACK ROLLER

(A)=MC1210FLD,PQ

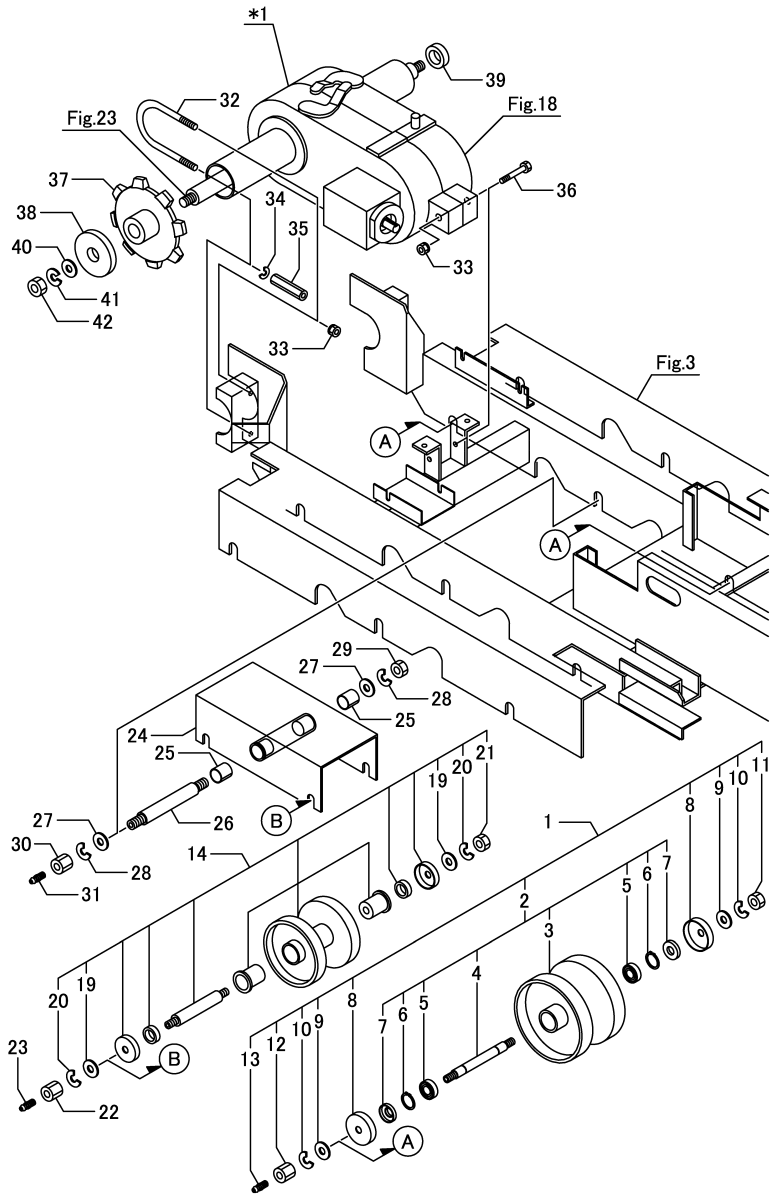
(B)=

(C)=

(D)=

(E)=

(F)=



No.	Lev.	Parts No.	Description	Qty						I	R
				(A)	(B)	(C)	(D)	(E)	(F)		
1	1	7N3542-36010	LWR.TRANK ROLLER SET	4							
2	2	7N3542-36000	LWR.TRANK ROLLER ASY	4							
3	3	1N3542-36040	LOWER RING	4							
4	3	1N3545-36010	SHAFT	4							
5	3	24101-060044	BEARING, BALL 6004	8							
6	3	22242-000200	RING, 20	8							
7	3	24421-204212	SEAL, OIL TC204212	8							
8	2	1N1240-35030	BASE,STAND	8							
9	2	22137-160000	WASHER, 16	8							
10	2	22217-160000	WASHER, SPRING 16	8							
11	2	26757-160002	NUT, LOCK M16	4							
12	2	1N1101-36050	NUT M16,HIGH	4							
13	2	24761-060000	NIPPLE, GREASE MT6X1	4							
14	1	7N3560-36001	ROLLER ASSY.,TRACK	4							
19	2	22137-120000	WASHER, 12	8							
20	2	22217-120000	WASHER, SPRING 12	8							
21	2	26717-120002	NUT, M12	4							
22	1	1N3561-36000	NUT M12,HIGH	4							
23	1	24761-060000	NIPPLE, GREASE MT6X1	4							
24	1	1N1995-36020	EQUALIZER	2							
25	1	1N1415-68300	LINER ML2225,M	4							
26	1	1N1995-36000	SHAFT	2							
27	1	22137-160000	WASHER, 16	4							
28	1	22217-160000	WASHER, SPRING 16	4							
29	1	26757-160002	NUT, LOCK M16	2							
30	1	1N1101-36050	NUT M16,HIGH	2							
31	1	24761-060000	NIPPLE, GREASE MT6X1	2							
32	1	1N3501-35030	U-BOLT	2							
33	1	26051-100002	NUT, M10	3							
34	1	22217-100000	WASHER, SPRING 10	2							
35	1	1N1995-35070	NUT M10X70	2							
36	1	26117-100702	BOLT M10X 70 PLATED	1							
37	1	1N1995-35090	SPROCKET	2							
38	1	1N1995-35100	PLATE	1							
39	1	1N1995-35110	COLLAR,AXLE	1							
40	1	22137-160000	WASHER, 16	2							
41	1	22217-160000	WASHER, SPRING 16	2							
42	1	26717-160002	NUT, M16	2							

Remarks

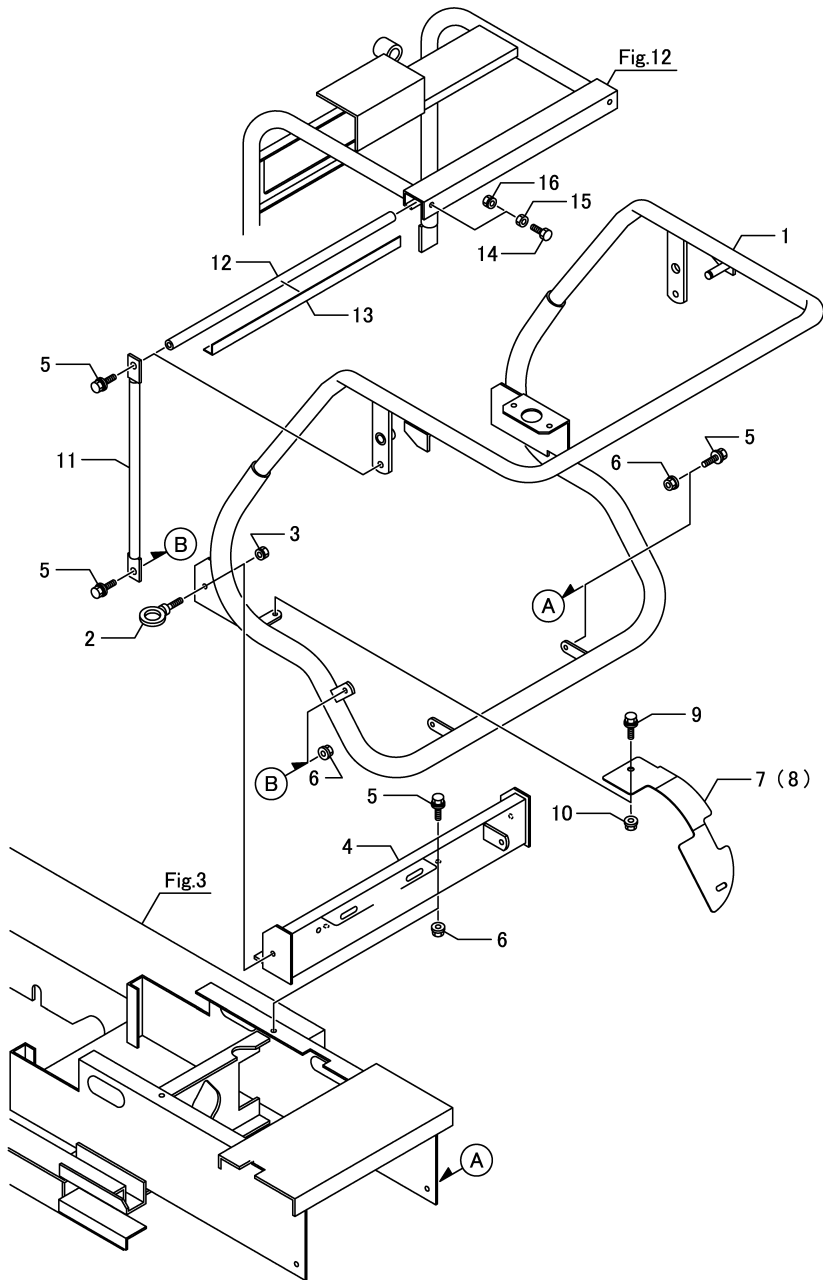
*1. Transmission Assembly (FT51-7F).

N:Old $\xrightarrow{\text{Yes}}$ New, Q:Old $\xrightarrow{\text{No}}$ New, R:Old $\xrightarrow{\text{Yes}}$ New, S:Old $\xrightarrow{\text{No}}$ New, W:Add, Z:Discontinued, F:Interchangeable by set, K:Qty Change

Fig.6. HANDLE

(A)=MC1210FLD,PQ
(B)=
(C)=

(D)=
(E)=
(F)=

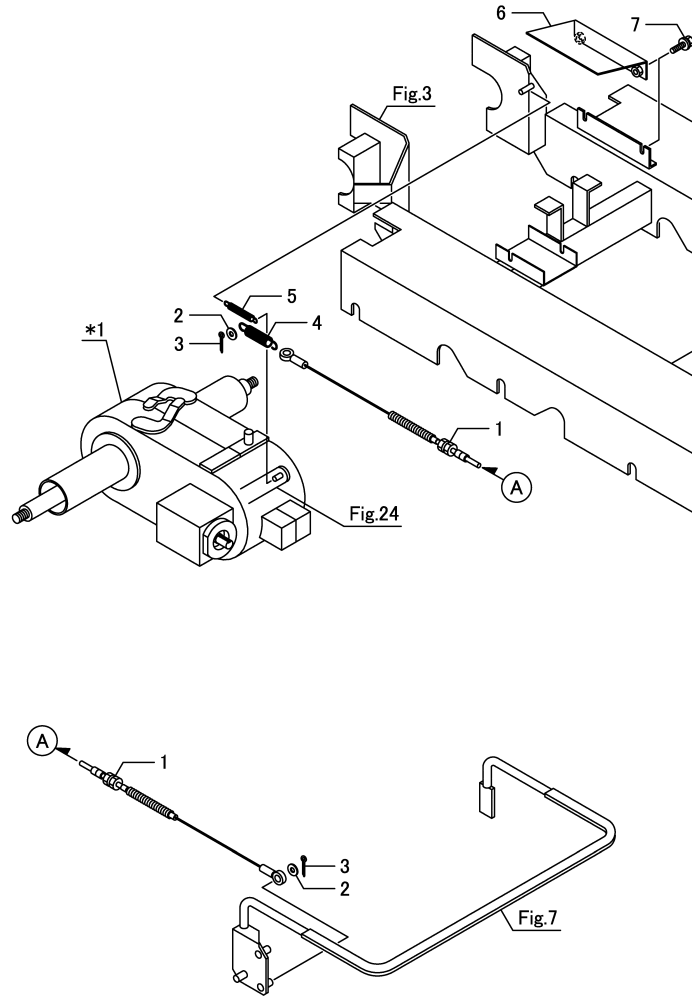


No.	Lev.	Parts No.	Description	Q'ty						I	R
				(A)	(B)	(C)	(D)	(E)	(F)		
1	1	1N1995-47000	HANDLE	1							
2	1	1N1995-31280	BOLT M10	2							
3	1	26051-100002	NUT, M10	2							
4	1	1N1995-47141	BRACKET	1							
5	1	26018-080204	BOLT M 8X 20	8							
6	1	26367-080002	NUT, M8	6							
7	1	1N1995-58470	COVER L,FENDER	1							
8	1	1N1995-58480	COVER R,FENDER	1							
9	1	1N1291-58080	BOLT 6X16 W/P&SW.	4							
10	1	26367-060002	NUT, M6	4							
11	1	1N1995-47130	STAY,HANDLE	2							
12	1	1N1995-47040	STAY,HANDLE A	1							
13	1	1N1995-45140	PLATE	1							
14	1	26117-060304	BOLT M 6X 30 PLATED	2							
15	1	26757-060002	NUT, LOCK M6	2							
16	1	26051-060002	NUT, M6	2							

Fig.8. BRAKE LEVER

(A)=MC1210FLD,PQ
(B)=
(C)=

(D)=
(E)=
(F)=

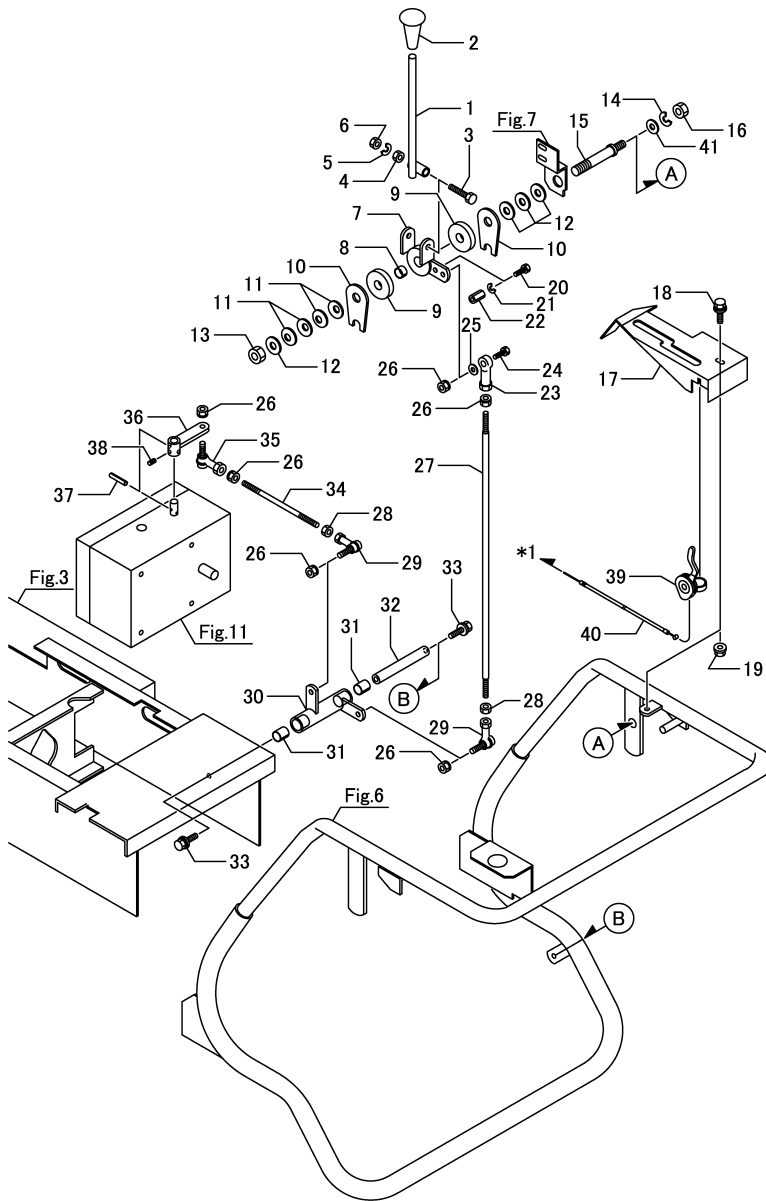


No.	Lev.	Parts No.	Description	Q'ty						I	R
				(A)	(B)	(C)	(D)	(E)	(F)		
1	1	1N1995-42010	WIRE,CONTROL	1							
2	1	22137-080000	WASHER, 8	1							
3	1	22417-250200	PIN, COTTER 2.5X20	1							
4	1	1N3503-53000	SPRING	1							
5	1	1N1190-45000	SPRING 11X72.5,TENS.	1							
6	1	1N1995-58130	BRAKE COVER	1							
7	1	26018-080204	BOLT M 8X 20	2							

Remarks

*1. Transmission Assembly (FT51-7F).

Fig.9. HST LEVER



(A)=MC1210FLD,PQ
(B)=
(C)=

(D)=
(E)=
(F)=

No.	Lev.	Parts No.	Description	Q'ty						I	R
				(A)	(B)	(C)	(D)	(E)	(F)		
1	1	1N1995-41190	CHANGE LEVER	1							
2	1	1N1101-44010	GRIP 10,CLUTCH	1							
3	1	26117-100702	BOLT M10X 70 PLATED	1							
4	1	26717-100002	NUT, M10	1							
5	1	22217-100000	WASHER, SPRING 10	1							
6	1	26757-100002	NUT, LOCK M10	1							
7	1	1N1995-41170	LEVER B,CHANGE	1							
8	1	1N3510-61190	LINER	1							
9	1	1N1995-41010	DISC PLATE	2							
10	1	1N1995-41200	PLATE	2							
11	1	1N1211-47180	WASHER 16,SPRING	4							
12	1	22137-160000	WASHER, 16	4							
13	1	26717-160002	NUT, M16	1							
14	1	22217-120000	WASHER, SPRING 12	1							
15	1	1N1995-47010	SHAFT,FULCRUM	1							
16	1	26757-120002	NUT, LOCK M12	1							
17	1	1N1995-41020	GUIDE	1							
18	1	1N1291-58080	BOLT 6X16 W/P&SW.	2							
19	1	26367-060002	NUT, M6	2							
20	1	26557-060162	SCREW M 6X 16	1							
21	1	22217-060000	WASHER, SPRING 6	1							
22	1	1N3514-42520	NUT M6X20	1							
23	1	1N1555-41350	ROD END	1							
24	1	26117-080304	BOLT, M8X 30 PLATED	1							
25	1	22137-080000	WASHER, 8	1							
26	1	26051-080002	NUT, M8	6							
27	1	1N1995-41000	ROD,ADJUSTING	1							
28	1	1N3506-41100	M8X6.5 LOCKNUT LEFT-	2							
29	1	1N3506-41180	LINK BALL L	2							
30	1	1N1995-41050	LINK,CHANGE	1							
31	1	1E1107-62000	LINER M	2							
32	1	1N3513-45100	SHAFT	1							
33	1	26018-080204	BOLT M 8X 20	2							
34	1	1N3513-45250	SCREW	1							
35	1	1N1142-45080	END 8,ROD	1							
36	1	1N1995-41150	LEVER A,CHANGE	1							
37	1	22351-050025	PIN, SPRING 5.0X25	1							
38	1	26979-060082	SCREW, M6X 8	1							
39	1	1N1995-51000	THROTTLE LEVER	1							
40	1	1N1995-51010	WIRE,THROTTLE	1							
41	1	22137-120000	WASHER, 12	1							

Remarks

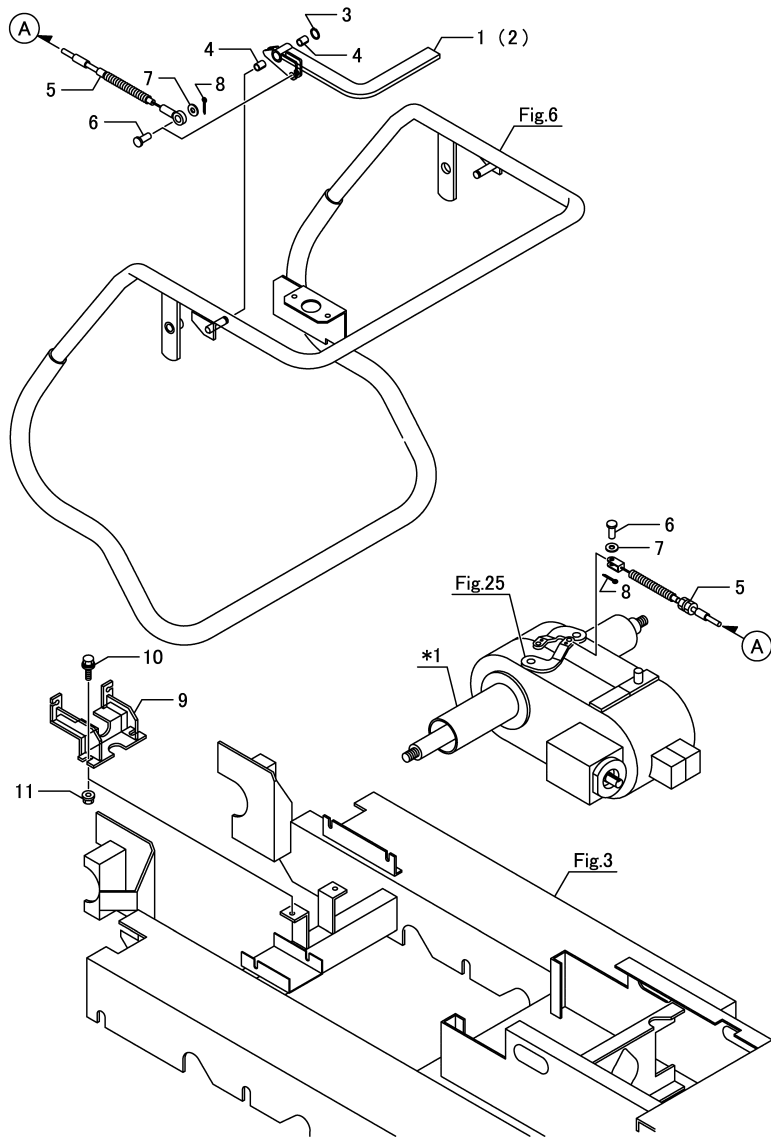
*1. To the engine.

N:Old $\begin{matrix} \leftarrow \text{Yes} \\ \text{No} \rightarrow \end{matrix}$ New, Q:Old $\begin{matrix} \leftarrow \text{No} \\ \text{Yes} \rightarrow \end{matrix}$ New, R:Old $\begin{matrix} \leftarrow \text{Yes} \\ \text{Yes} \rightarrow \end{matrix}$ New, S:Old $\begin{matrix} \leftarrow \text{No} \\ \text{No} \rightarrow \end{matrix}$ New, W:Add, Z:Discontinued, F:Interchangeable by set, K:Q'ty Change

Fig.10. SIDE CLUTCH LEVER

(A)=MC1210FLD,PQ
(B)=
(C)=

(D)=
(E)=
(F)=



No.	Lev.	Parts No.	Description	Q'ty						I	R
				(A)	(B)	(C)	(D)	(E)	(F)		
1	1	1N1995-41080	LEVER L,SIDE CLUTCH	1							
2	1	1N1995-41070	SIDE CLUTCH LEVER R	1							
3	1	22242-000120	RING, 12	2							
4	1	1N1995-41440	BUSH	4							
5	1	1N1995-44000	SIDE CLUTCH WIRE	2							
6	1	1N1566-42170	RIVET	4							
7	1	22137-060000	WASHER, 6	4							
8	1	22417-250200	PIN, COTTER 2.5X20	4							
9	1	1N1995-41270	BRACKET, OUTER	1							
10	1	26018-080204	BOLT M 8X 20	2							
11	1	26367-080002	NUT, M8	2							

Remarks

*1. Transmission Assembly (FT51-7F).

Fig.11. HST TANK

(A)=MC1210FLD,PQ

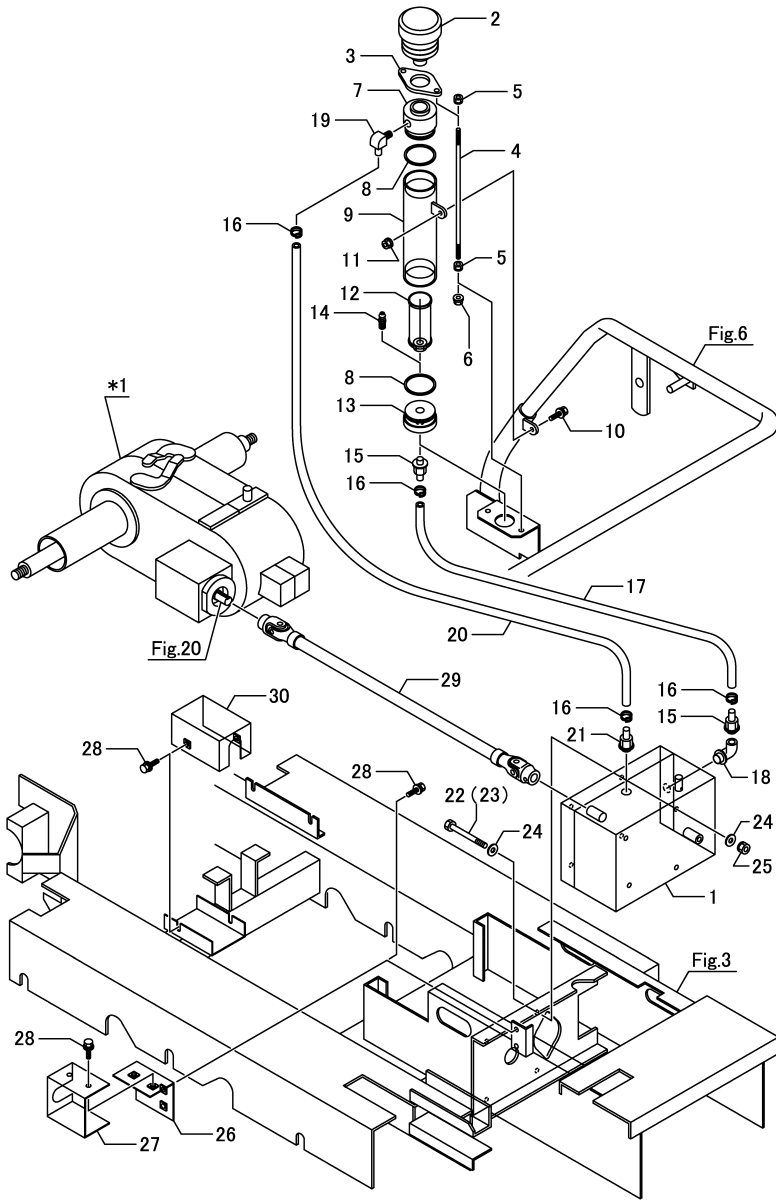
(B)=

(C)=

(D)=

(E)=

(F)=



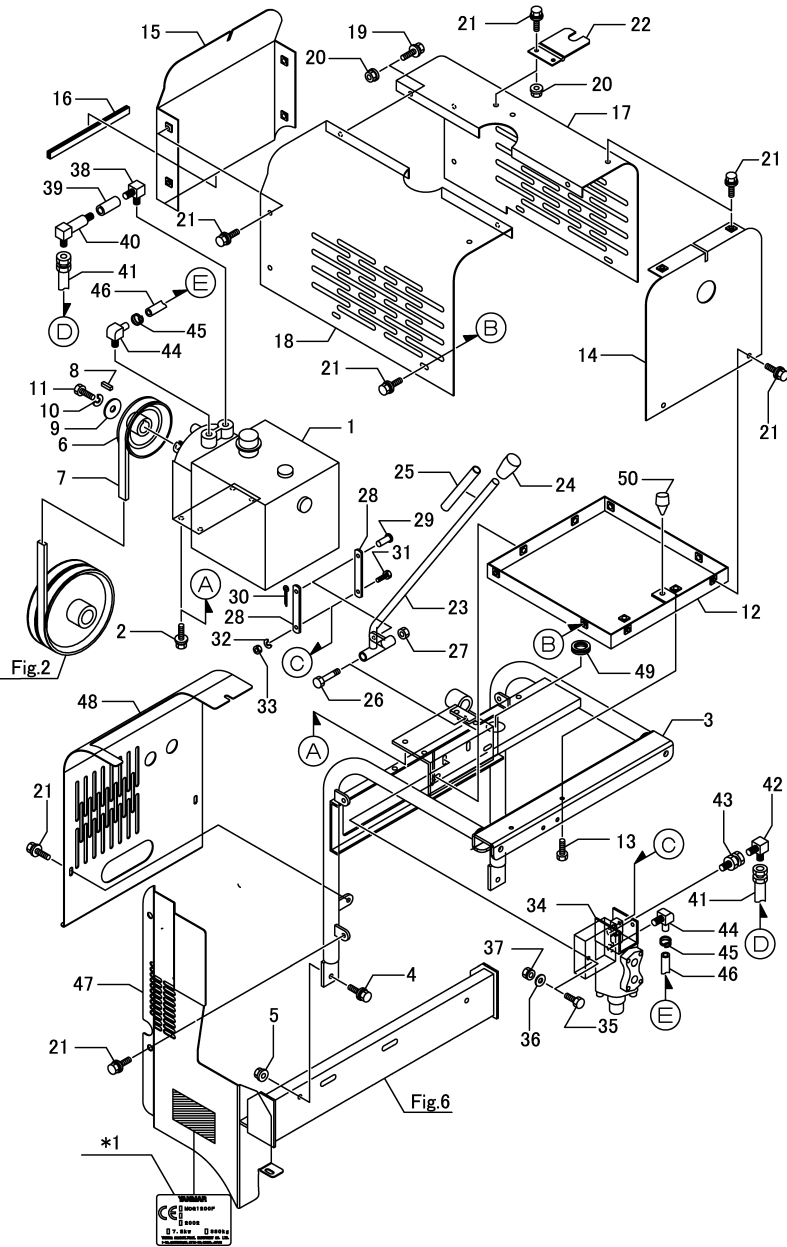
No.	Lev.	Parts No.	Description	Q'ty						I	R
				(A)	(B)	(C)	(D)	(E)	(F)		
1	1	7N1995-24000	HST	1							
2	1	1N3506-24000	TANK	1							
3	1	1N1995-25050	RETAINER	1							
4	1	1N1995-25030	BOLT	2							
5	1	26051-060002	NUT, M6	4							
6	1	26367-060002	NUT, M6	2							
7	1	1N1995-25000	HEAD,OIL TANK	1							
8	1	1N1995-61140	O-RING 1A G-45.0	2							
9	1	1N1995-25040	HST TANK	1							
10	1	26018-080204	BOLT M 8X 20	1							
11	1	26367-080002	NUT, M8	1							
12	1	1N1995-61060	STRAINER	1							
13	1	1N1995-25010	HEAD,OIL TANK	1							
14	1	1N1995-61120	NIPPLE	1							
15	1	1N1995-61090	NIPPLE,HOSE	2							
16	1	1N3507-61150	CLAMP	4							
17	1	1N1995-61180	SUCTION HOSE	1							
18	1	1N1995-61080	ELBOW,90 ADJUSTABLE	1							
19	1	1N1995-61070	ELBOW	1							
20	1	1N1995-61160	SUCTION HOSE	1							
21	1	1N3507-61080	JOINT D	1							
22	1	26116-081302	BOLT, M8X130 PLATED	2							
23	1	26117-080452	BOLT M 8X 45	2							
24	1	22137-080000	WASHER, 8	8							
25	1	26051-080002	NUT, M8	4							
26	1	1N1995-58090	COVER	1							
27	1	1N1995-58000	COVER	1							
28	1	26018-060164	BOLT M 6X 16	6							
29	1	1N1995-23000	SHAFT,PROPELLER	1							
30	1	1N1995-58110	COVER	1							

Remarks

*1. Transmission Assembly (FT51-7F).

N:Old $\begin{matrix} \leftarrow \text{Yes} \\ \text{No} \end{matrix}$ New, Q:Old $\begin{matrix} \leftarrow \text{No} \\ \text{Yes} \end{matrix}$ New, R:Old $\begin{matrix} \leftarrow \text{Yes} \\ \text{Yes} \end{matrix}$ New, S:Old $\begin{matrix} \leftarrow \text{No} \\ \text{No} \end{matrix}$ New, W:Add, Z:Discontinued, F:Interchangeable by set, K:Q'ty Change

Fig.12. HYDRAULIC PUMP



(A)=MC1210FLD,PQ

(B)=

(C)=

(D)=

(E)=

(F)=

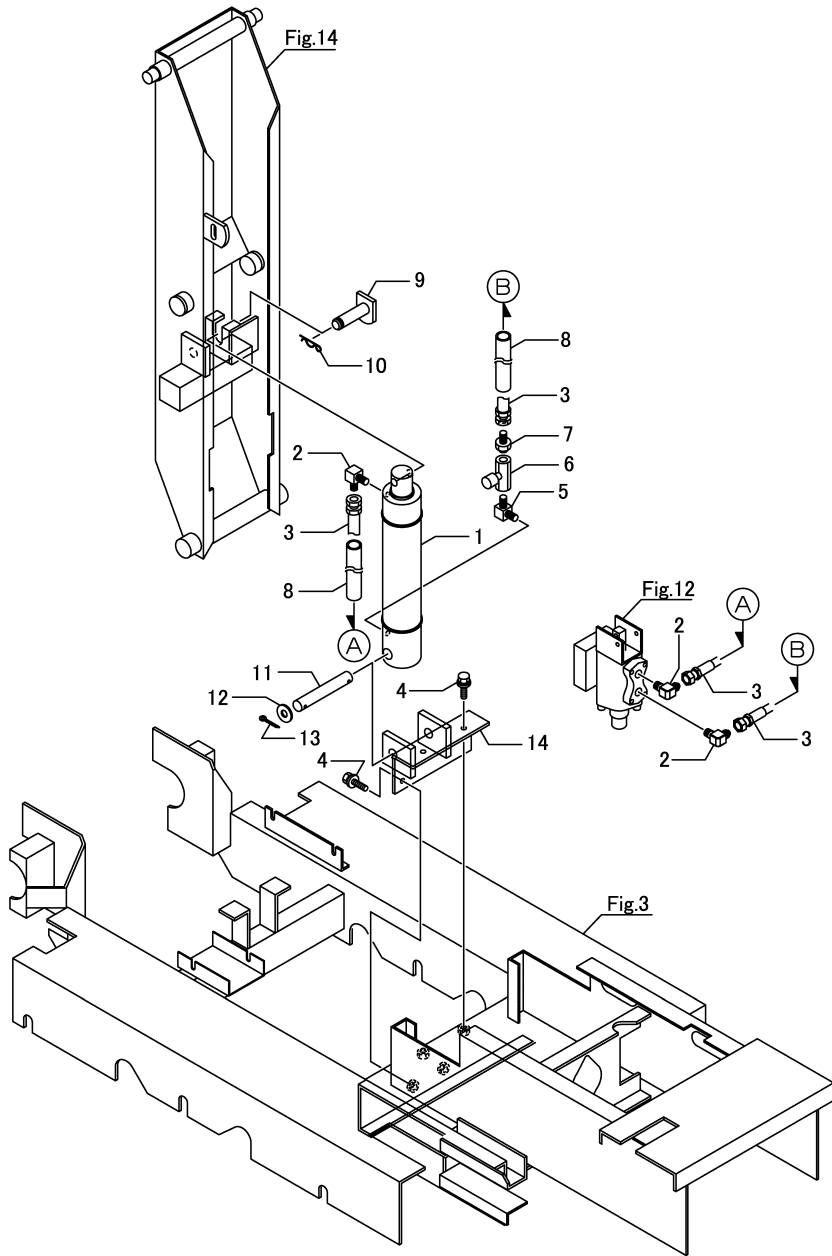
No.	Lev.	Parts No.	Description	Qty						I	R
				(A)	(B)	(C)	(D)	(E)	(F)		
1	1	7N1995-61000	PUMP ASSY, HYDRAULIC	1							
2	1	26018-080204	BOLT M 8X 20		4						
3	1	1N1995-45240	PLATFORM,PACKAGE	1							
4	1	26018-100254	BOLT M10X 25		2						
5	1	26367-100002	NUT, M10		2						
6	1	1N1995-21010	PULLEY	1							
7	1	25123-005501	V-BELT, B55H		1						
8	1	22550-050150	KEY 5X15		1						
9	1	1N1210-16060	WASHER 11X35,RUBBER		1						
10	1	22217-100000	WASHER, SPRING 10		1						
11	1	26117-100164	BOLT M10X 16 PLATED		1						
12	1	1N1995-45260	SUMP, OIL		1						
13	1	1E1115-58300	BOLT 6X20		2						
14	1	1N1995-58500	COVER A, TANK		1						
15	1	1N1995-58520	COVER C, TANK		1						
16	1	1N1995-58330	TRIM		1						
17	1	1N1995-58540	COVER R, TANK		1						
18	1	1N1995-58230	COVER L, TANK		1						
19	1	26018-060164	BOLT M 6X 16		2						
20	1	26367-060002	NUT, M6		4						
21	1	1N1291-58080	BOLT 6X16 W/P&SW.		20						
22	1	1N1995-45030	PLATE		1						
23	1	1N1995-45230	LEVER, DUMP		1						
24	1	1N1101-44020	GRIP 10,BRAKE		1						
25	1	1N1995-45180	VINYL HOSE		1						
26	1	26117-101002	BOLT M10X100 PLATED		1						
27	1	26347-100002	NUT, M10		1						
28	1	1N1995-45050	LINK,DUMP LEVER		2						
29	1	1N1215-51000	PIN 6X16,RIVET		1						
30	1	22417-250200	PIN, COTTER 2.5X20		1						
31	1	26117-050204	BOLT M 5X 20 PLATED		1						
32	1	22217-050000	WASHER, SPRING 5		1						
33	1	26717-050002	NUT, M5		1						
34	1	7N1995-61010	VALVE		1						
35	1	26116-060352	BOLT, M6X 35 PLATED		2						
36	1	22137-060000	WASHER, 6		2						
37	1	26051-060002	NUT, M6		2						
38	1	1N1995-61100	ELBOW		1						
39	1	1N1995-61110	SOCKET		1						
40	1	1N3512-61040	ELBOW, LONG		1						
41	1	1N1995-61050	HOSE H2-800,HYDRAUL.		1						
42	1	1N3516-45210	ELBOW		1						
43	1	1E1107-61260	ADAPTER		1						
44	1	1N1995-61070	ELBOW		2						
45	1	1N1995-61130	HOSE BAND		2						
46	1	1N1995-61150	SUCTION HOSE		1						
47	1	1N1995-58570	COVER A		1						
48	1	1N1995-58490	FRONT COVER		1						
49	1	1N1185-53010	GROMMET 35		1						
50	1	1N1101-44040	RUBBER,STOPPER		1						

Remarks

*1. Model Label(Not sold).

N:Old $\xrightarrow{\text{Yes}}$ New, Q:Old $\xrightarrow{\text{No}}$ New, R:Old $\xrightarrow{\text{Yes}}$ New, S:Old $\xrightarrow{\text{No}}$ New, W:Add, Z:Discontinued, F:Interchangeable by set, K:Q'ty Change

Fig.13. HYDRAULIC CYLINDER

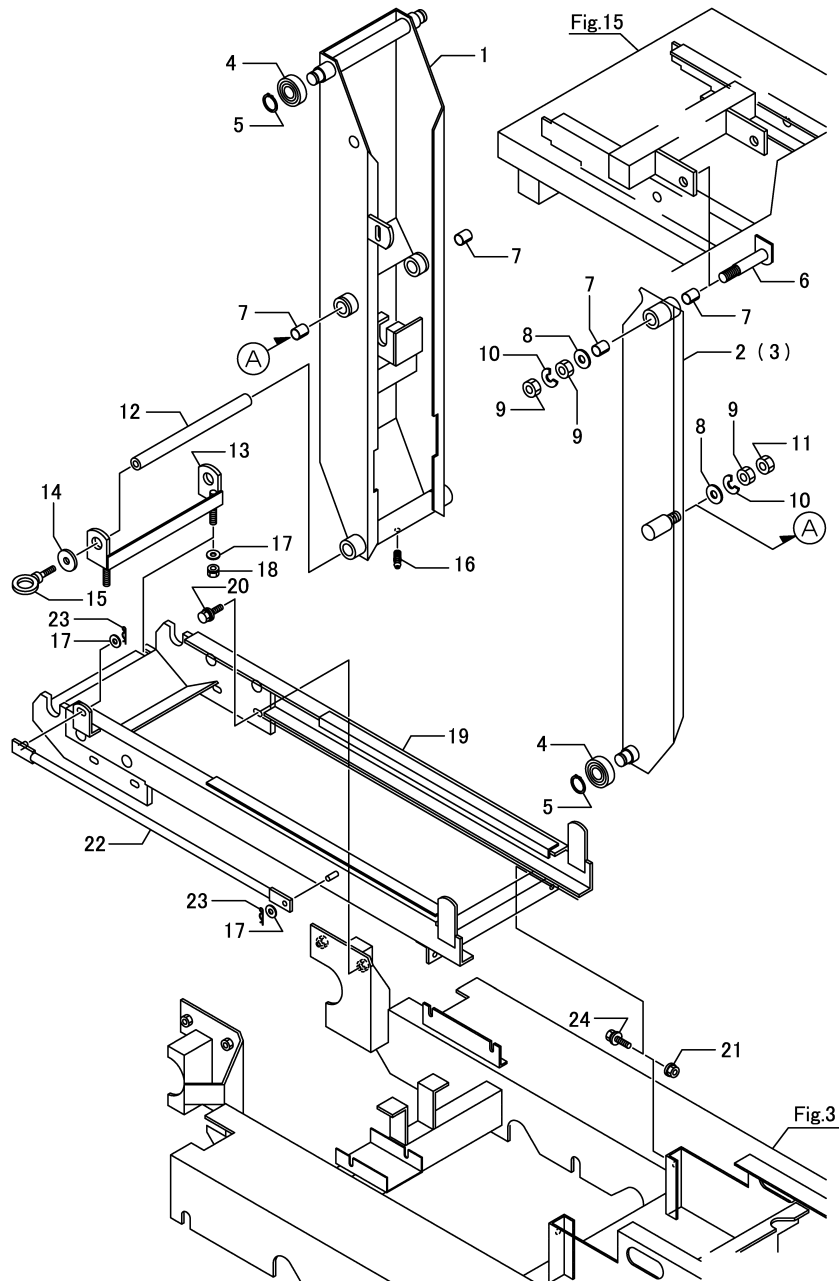


(A)=MC1210FLD,PQ
(B)=
(C)=

(D)=
(E)=
(F)=

No.	Lev.	Parts No.	Description	Q'ty						I	R
				(A)	(B)	(C)	(D)	(E)	(F)		
1	1	1N1995-61000	CYLINDER	1							
2	1	1N1090-61030	ELBOW	3							
3	1	1N1995-61040	HOSE	2							
4	1	26018-100254	BOLT M10X 25	4							
5	1	1N1995-61100	ELBOW	1							
6	1	1E1184-61010	VALVE,CONTROL	1							
7	1	1E1107-61250	ADAPTER	1							
8	1	1N1995-61170	VINYL HOSE	2							
9	1	1N1995-68480	PIN,CYLINDER	1							
10	1	22360-180000	PIN, SNAP 18	1							
11	1	1N3544-61020	PIN	1							
12	1	22137-180000	WASHER, 18	2							
13	1	22417-400400	PIN, COTTER 4.0X40	2							
14	1	1N1995-68260	BRACKET	1							

Fig.14. PANTAGRAPH



(A)=MC1210FLD,PQ
(B)=
(C)=

(D)=
(E)=
(F)=

No.	Lev.	Parts No.	Description	Qty						I	R
				(A)	(B)	(C)	(D)	(E)	(F)		
1	1	1N1995-68200	ARM	1							
2	1	1N1995-68160	ARM	1							
3	1	1N1995-68180	ARM	1							
4	1	24104-060044	BEARING, BALL 6004UU	4							
5	1	22242-000200	RING, 20	4							
6	1	1N1995-68460	SHAFT,ARM	2							
7	1	1N1995-68560	BUSH	6							
8	1	1N1211-47110	WASHER 16.5X45X4.5	4							
9	1	26717-160002	NUT, M16	6							
10	1	22217-160000	WASHER, SPRING 16	4							
11	1	26757-160002	NUT, LOCK M16	2							
12	1	1N1995-68000	ARM SHAFT	1							
13	1	1N1995-68290	HINGE	1							
14	1	1N1210-16060	WASHER 11X35,RUBBER	2							
15	1	1N1995-31280	BOLT M10	2							
16	1	24761-060000	NIPPLE, GREASE MT6X1	1							
17	1	22137-100000	WASHER, 10	4							
18	1	26051-100002	NUT, M10	2							
19	1	1N1995-68070	LIFT RAIL	1							
20	1	1N1286-47100	BOLT	4							
21	1	26367-100002	NUT, M10	2							
22	1	1N1995-68440	STAY	1							
23	1	22360-100000	PIN, SNAP 10	2							
24	1	26018-100254	BOLT M10X 25	2							

Fig.15. PLATFORM CARRIER

(A)=MC1210FLD,PQ
(B)=
(C)=

(D)=
(E)=
(F)=

No.	Lev.	Parts No.	Description	Q'ty						I	R
				(A)	(B)	(C)	(D)	(E)	(F)		
1	1	1N1995-64000	CARRIER,PLATFORM	1							
2	1	1N1995-65000	PLATE L,SIDE	1							
3	1	1N1995-65010	PLATE R,SIDE	1							
4	1	26117-100254	BOLT, M10X 25 PLATED	6							
5	1	26757-100002	NUT, LOCK M10	6							
6	1	1N1995-66000	PLATE	1							
7	1	1N3513-58230	PLUG	2							
8	1	1N1995-66040	GUIDE PIPE	1							
9	1	26018-100252	BOLT, M10X 25	4							
10	1	1N1995-66080	PLATE,BACK	1							
11	1	1N3503-66220	SCREW 6X12	6							

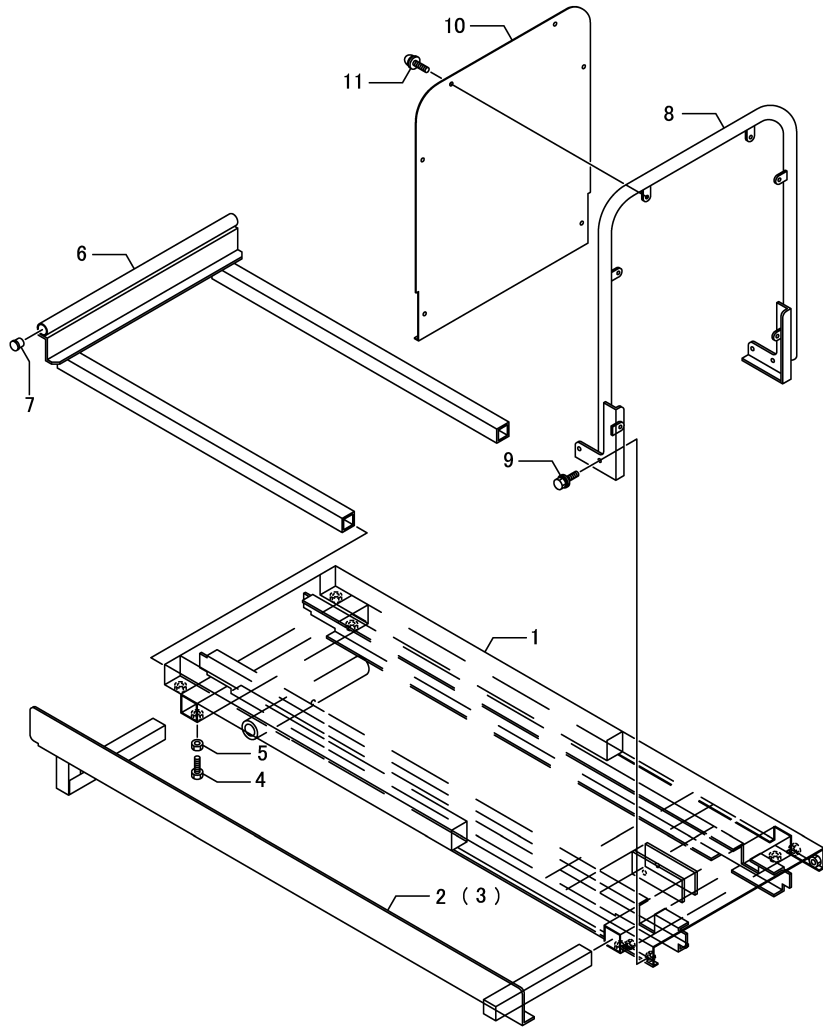
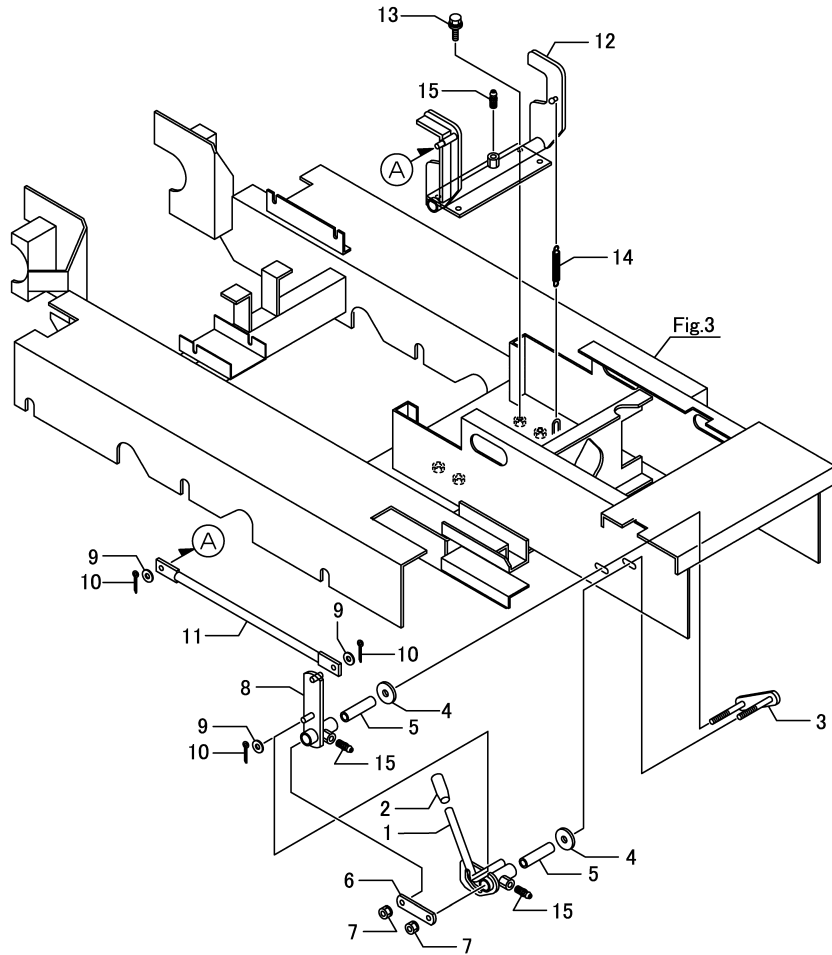


Fig.16. DUMP CHANGE LEVER



(A)=MC1210FLD,PQ
(B)=
(C)=

(D)=
(E)=
(F)=

No.	Lev.	Parts No.	Description	Q'ty						I	R
				(A)	(B)	(C)	(D)	(E)	(F)		
1	1	1N1995-68351	LEVER,A DUMP CHANGEO	1							
2	1	1N1101-44020	GRIP 10,BRAKE	1							
3	1	1N1995-68400	STUD, STARTER	1							
4	1	1N1210-16060	WASHER 11X35,RUBBER	2							
5	1	1N1300-65240	CAM LEVER	2							
6	1	1N1995-68550	RETAINER	1							
7	1	26051-100002	NUT, M10	2							
8	1	1N1995-68381	LEVER,B DUMP CHANGEO	1							
9	1	22137-080000	WASHER, 8	3							
10	1	22417-250200	PIN, COTTER 2.5X20	3							
11	1	1N1995-68430	ROD	1							
12	1	1N1995-68321	LINK,DUMP CHANGEOVER	1							
13	1	26018-100254	BOLT M10X 25	4							
14	1	1N1190-45000	SPRING 11X72.5,TENS.	1							
15	1	24761-060000	NIPPLE, GREASE MT6X1	3							

Fig.17. LABEL & ACCESSORIES

(A)=MC1210FLD,PQ

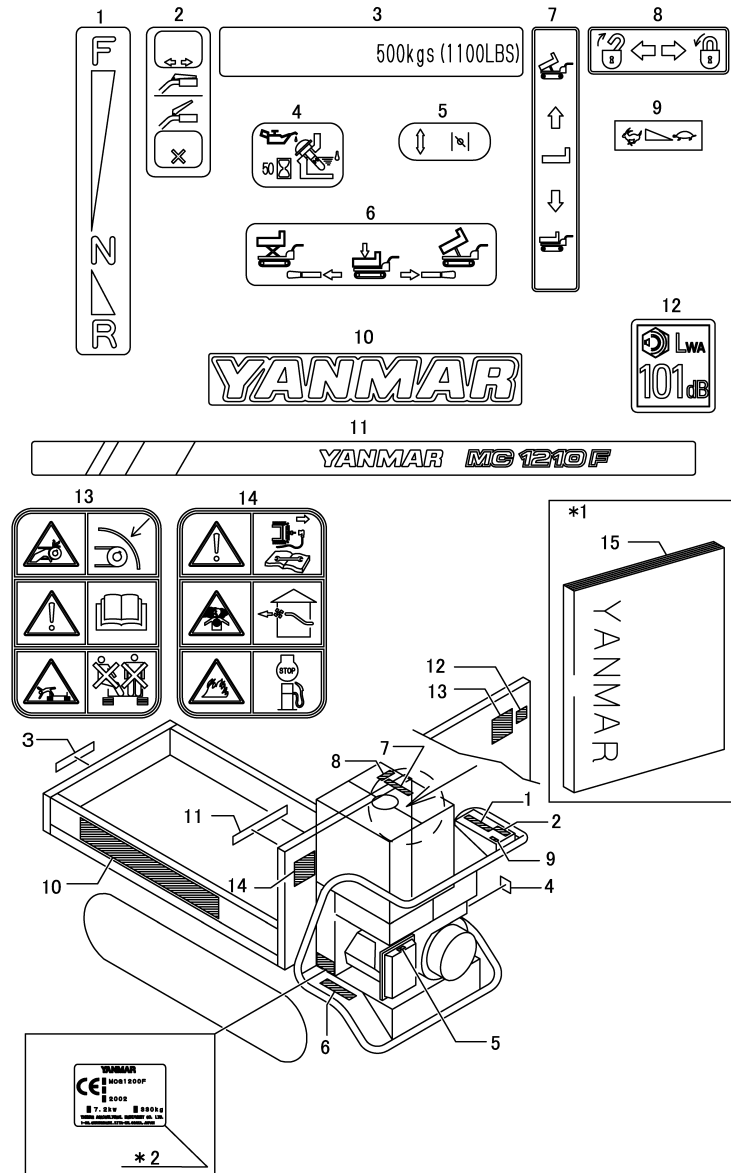
(B)=

(C)=

(D)=

(E)=

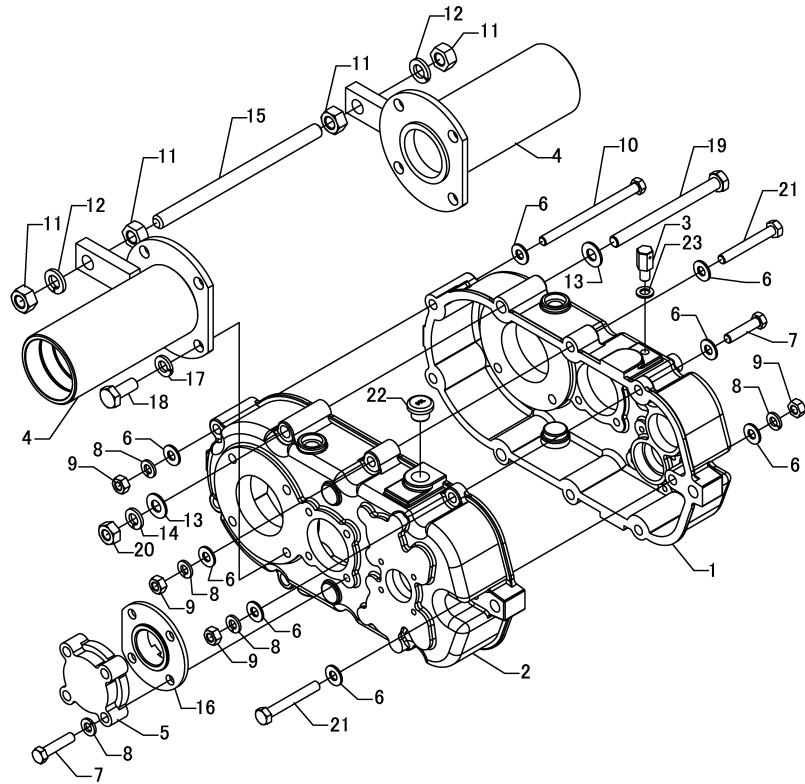
(F)=



No.	Lev.	Parts No.	Description	Qty						I	R
				(A)	(B)	(C)	(D)	(E)	(F)		
1	1	1N1995-93030	LABEL,CONTROL LEVER	1							
2	1	1N3506-93260	LABEL,CLUTCH	1							
3	1	1N3506-93320	PLATE 500K,LOADAGE	1							
4	1	1N3507-93160	LEVEL,OIL	1							
5	1	1N1367-93100	LABEL	1							
6	1	1N3505-93310	LABEL,PLATFORM CARR.	1							
7	1	1N3503-93140	LABEL,SWITCHING	1							
8	1	1N3503-93150	LABEL,HYDRAULIC LOCK	1							
9	1	1N3503-93190	LABEL, ACCEL	1							
10	1	1N1313-93030	NAMER,SIDE	2							
11	1	1N1995-93100	NAMER MC1210F, MODEL	1							
12	1	1N1995-93060	LABEL,101DB	1							
13	1	1N3563-93020	LABEL,SAFETY	1							
14	1	1N3563-93050	LABEL,SAFETY	1							
15	1	0ATP1-M00270	INSTRUCTION BOOK	1							

Remarks
 *1.Accessory.
 *2. Model Label(Not sold).

Fig.18. TRANSMISSION CASE



(A)=FT51-7F
(B)=
(C)=

(D)=
(E)=
(F)=

No.	Lev.	Parts No.	Description	Q'ty						I	R
				(A)	(B)	(C)	(D)	(E)	(F)		
1	1	1N1995-24000	CASE L,TRANSMISSION	1							
2	1	1N1995-24010	CASE R,TRANSMISSION	1							
3	1	1N1995-24030	VALVE,BREATHER	1							
4	1	1N1995-24020	HOLDER,AXLE	2							
5	1	1N1360-24030	COVER,BEARING	1							
6	1	22137-080000	WASHER, 8	14							
7	1	1N1382-41110	BOLT 8X 35	9							
8	1	22217-080000	WASHER, SPRING 8	11							
9	1	26717-080002	NUT, M8	7							
10	1	26117-081102	BOLT M 8X110 PLATED	2							
11	1	26717-120002	NUT, M12	4							
12	1	22217-120000	WASHER, SPRING 12	2							
13	1	22137-100000	WASHER, 10	2							
14	1	22217-100000	WASHER, SPRING 10	1							
15	1	1N1150-24170	STUD 12X180	1							
16	1	1N1360-25010	METAL,CLUTCH PAWL	1							
17	1	22217-100000	WASHER, SPRING 10	9							
18	1	26117-100254	BOLT, M10X 25 PLATED	8							
19	1	26117-101202	BOLT M10X120 PLATED	2							
20	1	1E1116-68590	NUT 10	2							
21	1	26117-080602	BOLT M 8X 60 PLATED	3							
22	1	1N3545-24020	PLUG,OIL	1							
23	1	1N1994-24030	SEAL WASHER	1							

Remarks
(A)=FT51-7F

Fig.19. MAIN SHAFT

(A)=FT51-7F
(B)=
(C)=

(D)=
(E)=
(F)=

No.	Lev.	Parts No.	Description	Q'ty						I	R
				(A)	(B)	(C)	(D)	(E)	(F)		
1	1	1N1995-25060	INPUT GEAR	1							
2	1	24101-060034	BEARING, BALL 6003	2							
3	1	1N1995-25070	BEVEL GEAR	1							
4	1	1N1995-25080	KEY	1							
5	1	22242-000150	RING, 15	1							

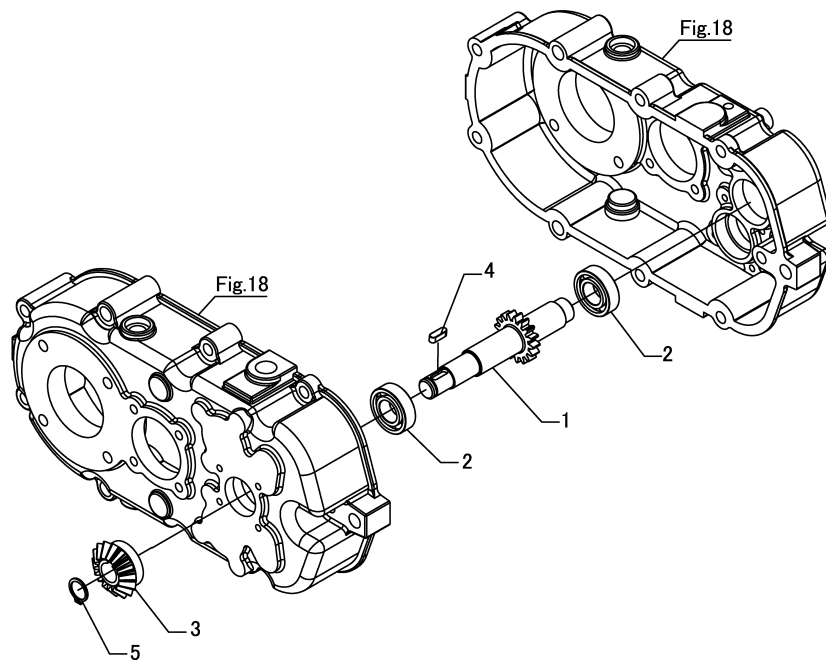
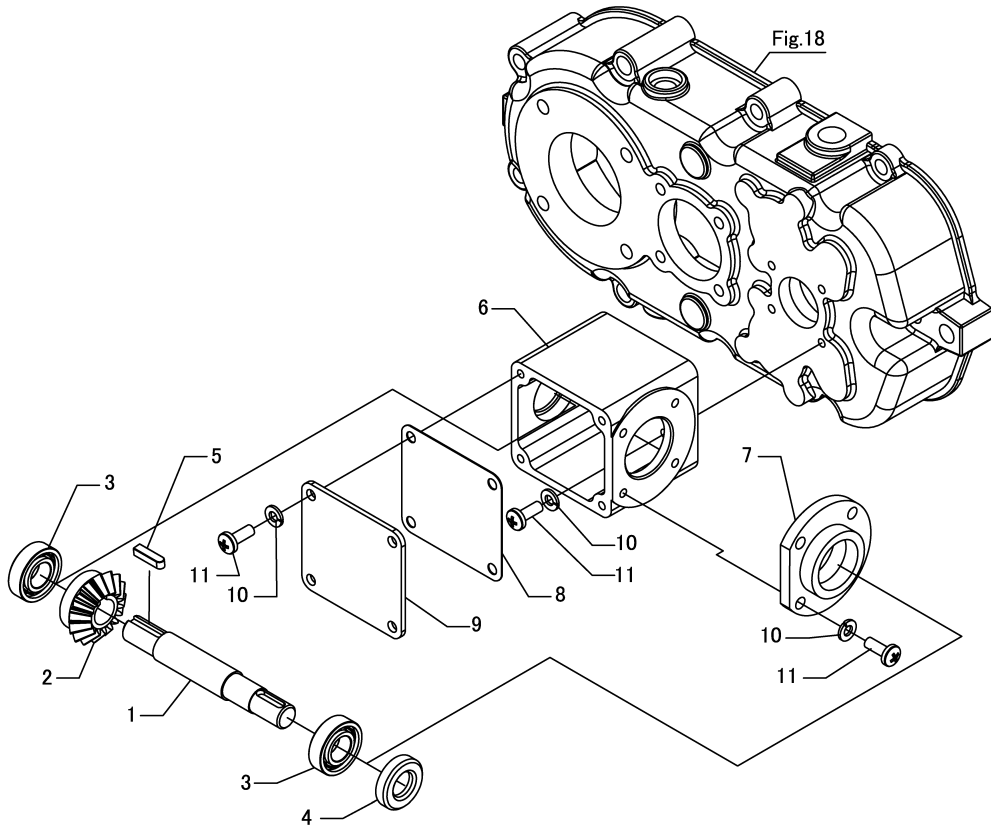


Fig.20. BEVEL SHAFT

(A)=FT51-7F
(B)=
(C)=

(D)=
(E)=
(F)=



No.	Lev.	Parts No.	Description	Q'ty						I	R
				(A)	(B)	(C)	(D)	(E)	(F)		
1	1	1N1995-25090	SHAFT,INPUT BEVEL	1							
2	1	1N1995-25070	BEVEL GEAR	1							
3	1	24101-060024	BEARING, BALL 6002	2							
4	1	24421-153007	SEAL TC15 30 07, OIL	1							
5	1	22550-050201	KEY, 5X 20	1							
6	1	1N1995-25100	BEVEL CASE	1							
7	1	1N1995-25110	COVER	1							
8	1	1N1995-25130	GASKET	1							
9	1	1N1995-25120	COVER, SIDE	1							
10	1	22217-060000	WASHER, SPRING 6	12							
11	1	26557-060162	SCREW M 6X 16	12							

Fig.21. TRANSMISSION SHAFT

(A)=FT51-7F
(B)=
(C)=

(D)=
(E)=
(F)=

No.	Lev.	Parts No.	Description	Q'ty						I	R
				(A)	(B)	(C)	(D)	(E)	(F)		
1	1	1N3521-25020	SHAFT,BRAKE	1							
2	1	1N1995-25140	TOP GEAR	1							
3	1	1N3521-25040	GEAR	1							
4	1	1N1995-25150	COLLAR	1							
5	1	24101-060034	BEARING, BALL 6003	2							
6	1	24421-173007	SEAL, OIL TC173007	1							

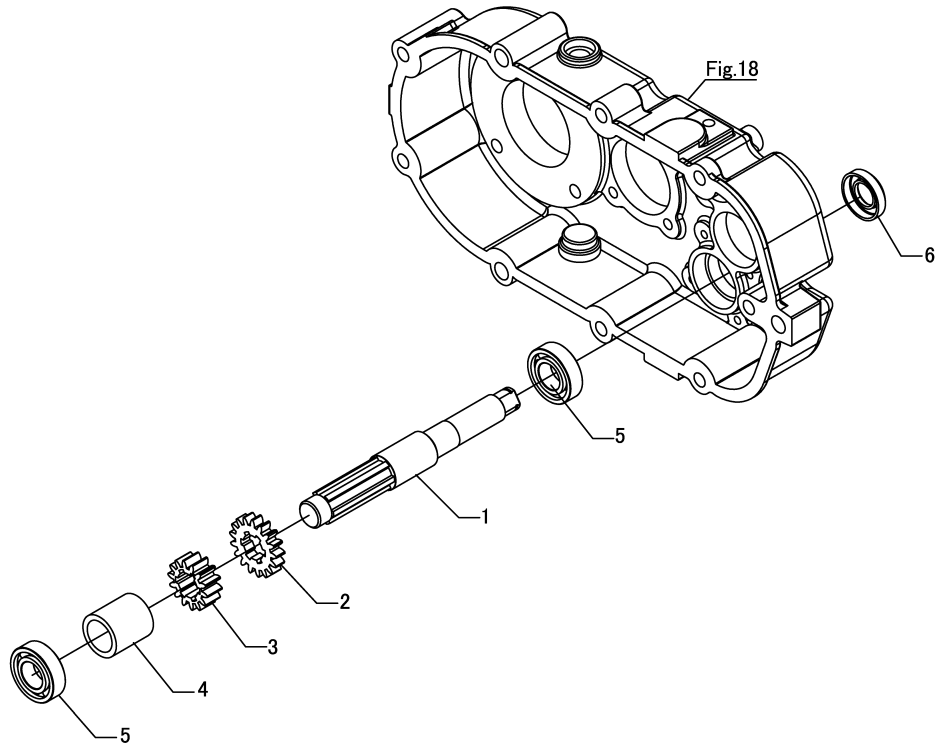


Fig.22. SIDE CLUTCH SHAFT

(A)=FT51-7F
(B)=
(C)=

(D)=
(E)=
(F)=

No.	Lev.	Parts No.	Description	Q'ty						I	R
				(A)	(B)	(C)	(D)	(E)	(F)		
1	1	1N1360-25031	SHAFT,CLUTCH	1							
2	1	1N1350-25041	GEAR 36T, CLUTCH	1							
3	1	1N1360-25022	GEAR,SIDE CLUTCH	2							
4	1	1N1360-25001	SPRING,SIDE CLUTCH	2							
5	1	1N1350-25010	COLLAR,CLUTCH SHAFT	2							
6	1	22550-050100	KEY 5X10	1							
7	1	22242-000280	RING, 28	1							
8	1	24101-060044	BEARING, BALL 6004	2							

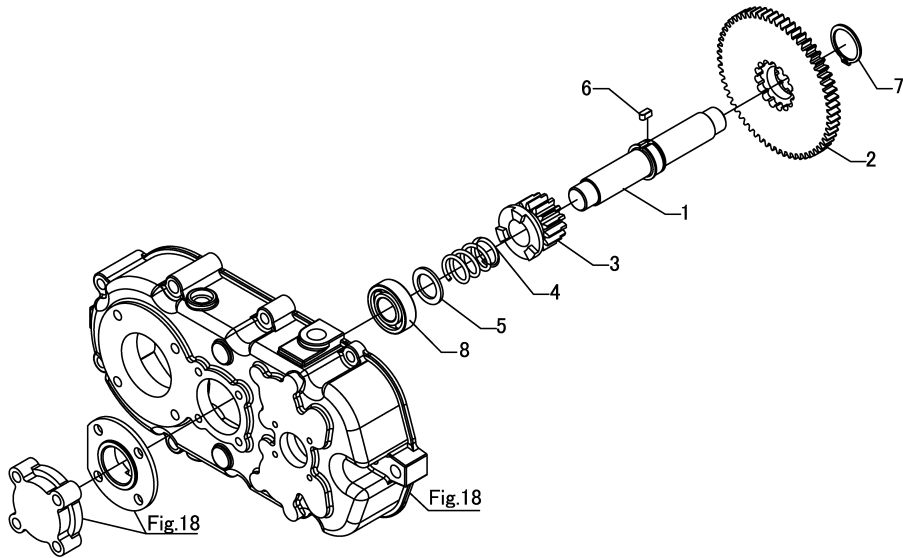
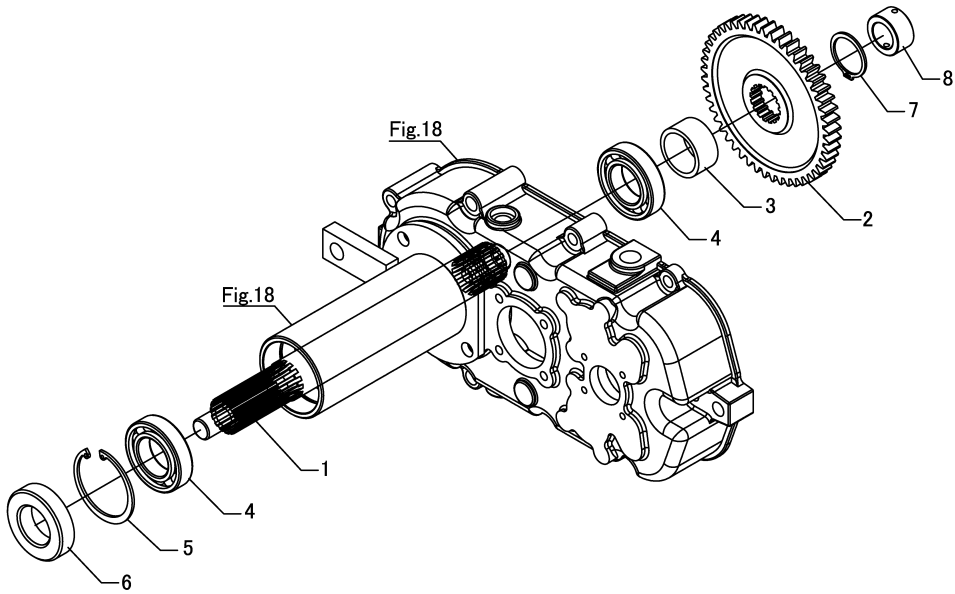


Fig.23. AXLE SHAFT

(A)=FT51-7F
(B)=
(C)=

(D)=
(E)=
(F)=



No.	Lev.	Parts No.	Description	Q'ty						I	R
				(A)	(B)	(C)	(D)	(E)	(F)		
1	1	1N1995-25160	SHAFT	2							
2	1	1N1350-25111	GEAR,AXLE	2							
3	1	1N1350-25120	COLLAR,AXLE	2							
4	1	24101-060064	BEARING, BALL 6006	4							
5	1	22252-000550	RING, 55	2							
6	1	1N3505-25000	SEAL MUD-5 305518	2							
7	1	22242-000300	RING, 30	2							
8	1	1N1361-25040	COLLAR A,AXLE	1							

Fig.24. BRAKE

(A)=FT51-7F
(B)=
(C)=

(D)=
(E)=
(F)=

No.	Lev.	Parts No.	Description	Q'ty						I	R
				(A)	(B)	(C)	(D)	(E)	(F)		
1	1	1N3521-25080	MOUNT,BRAKE	1							
2	1	26557-060452	SCREW, M6X45	4							
3	1	22217-060000	WASHER, SPRING 6	4							
4	1	1N3503-25230	DRUM, BREAK	1							
5	1	22242-000140	RING, 14	1							
6	1	1N1291-25230	PACKING,BRAKE PLATE	1							
7	1	1N3503-25250	PLATE COMP.,BRAKE	1							
8	1	7N3503-25000	BRAKE SHOE ASSY.	1							
9	1	26016-060144	BOLT, M6X 14	3							

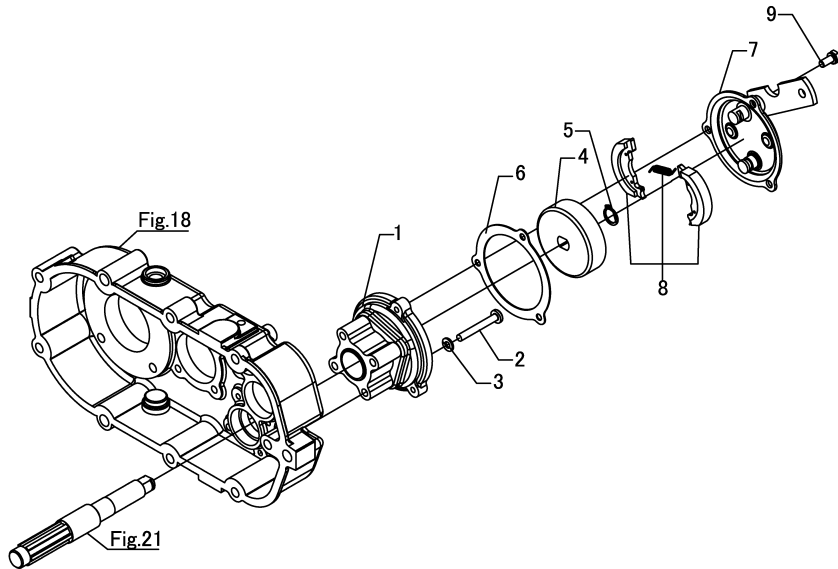
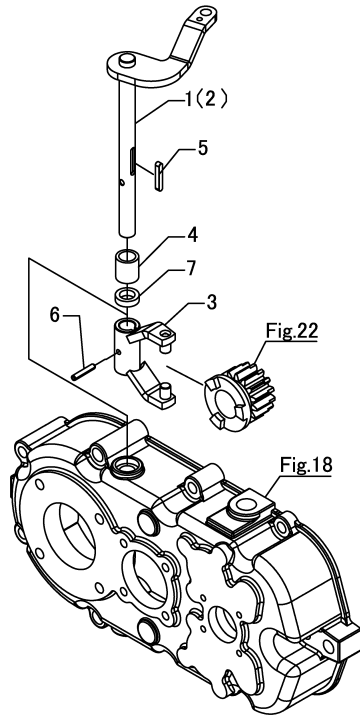


Fig.25. SIDE CLUTCH

(A)=FT51-7F
(B)=
(C)=

(D)=
(E)=
(F)=

No.	Lev.	Parts No.	Description	Q'ty						I	R
				(A)	(B)	(C)	(D)	(E)	(F)		
1	1	1N3521-26000	ROD,CLUTCH	1							
2	1	1N3521-26010	ROD (R), CLUTCH	1							
3	1	1N1350-25071	SHIFTER S,GEAR	2							
4	1	1N3542-26030	COLLAR	2							
5	1	1N3542-26040	KEY	2							
6	1	1N1350-24040	PIN 4X22,SPIROLL	2							
7	1	1N1350-25090	O-RING,CLUTCH ROD	2							



Parts No. Index

Parts No.	Fig. No.	Ref. No.
0ATP1-M00270	17	15
1E1107-61250	13	7
1E1107-61260	12	43
1E1107-62000	9	31
1E1115-58300	12	13
1E1116-68590	18	20
1E1184-61010	13	6
1E6020-83890	2	24
1N1070-53000	1	8
1N1090-61030	13	2
1N1101-36050	5	12
		30
1N1101-44010	9	2
1N1101-44020	12	24
	16	2
1N1101-44040	12	50
1N1142-45080	9	35
1N1150-24170	18	15
1N1151-53000	1	20
1N1185-53000	3	7
1N1185-53010	3	3
	12	49
1N1190-45000	8	5
	16	14
1N1210-16060	12	9
	14	14
	16	4
1N1210-22040	2	18
1N1211-47110	14	8
1N1211-47180	9	11
1N1215-51000	12	29
1N1240-35030	5	8
1N1286-47100	14	20
1N1291-22020	2	11
1N1291-25230	24	6
1N1291-58080	2	34
	6	9
	7	3
	9	18
	12	21
1N1300-65240	16	5
1N1313-93030	17	10
1N1350-24040	25	6
1N1350-25010	22	5
1N1350-25041	22	2
1N1350-25071	25	3
1N1350-25090	25	7
1N1350-25111	23	2
1N1350-25120	23	3
1N1360-22090	1	9

Parts No.	Fig. No.	Ref. No.
1N1360-24030	18	5
1N1360-25001	22	4
1N1360-25010	18	16
1N1360-25022	22	3
1N1360-25031	22	1
1N1361-25040	23	8
1N1367-93100	17	5
1N1382-41110	18	7
1N1415-68300	5	25
1N1466-22000	2	33
1N1530-24300	1	5
1N1555-41350	9	23
1N1566-42170	10	6
1N1994-24030	18	23
1N1995-11100	2	15
1N1995-21010	12	6
1N1995-21030	2	1
1N1995-23000	11	29
1N1995-24000	18	1
1N1995-24010	18	2
1N1995-24020	18	4
1N1995-24030	18	3
1N1995-25000	11	7
1N1995-25010	11	13
1N1995-25030	11	4
1N1995-25040	11	9
1N1995-25050	11	3
1N1995-25060	19	1
1N1995-25070	19	3
	20	2
1N1995-25080	19	4
1N1995-25090	20	1
1N1995-25100	20	6
1N1995-25110	20	7
1N1995-25120	20	9
1N1995-25130	20	8
1N1995-25140	21	2
1N1995-25150	21	4
1N1995-25160	23	1
1N1995-31280	6	2
	14	15
1N1995-31460	3	1
1N1995-35010	4	14
1N1995-35030	4	15
1N1995-35040	4	7
1N1995-35060	4	16
1N1995-35070	5	35
1N1995-35080	4	18
1N1995-35090	5	37
1N1995-35100	5	38

Parts No.	Fig. No.	Ref. No.
1N1995-35110	5	39
1N1995-36000	5	26
1N1995-36020	5	24
1N1995-37000	4	8
1N1995-37020	4	19
1N1995-41000	9	27
1N1995-41010	9	9
1N1995-41020	9	17
1N1995-41040	7	7
1N1995-41050	9	30
1N1995-41070	10	2
1N1995-41080	10	1
1N1995-41150	9	36
1N1995-41170	9	7
1N1995-41190	9	1
1N1995-41200	9	10
1N1995-41210	7	2
1N1995-41240	7	1
1N1995-41270	10	9
1N1995-41340	1	26
1N1995-41390	1	13
1N1995-41420	1	24
1N1995-41440	10	4
1N1995-41450	1	28
1N1995-41460	1	2
		16
1N1995-41470	1	15
1N1995-41490	1	1
1N1995-42001	7	8
1N1995-42010	8	1
1N1995-44000	10	5
1N1995-45030	12	22
1N1995-45050	12	28
1N1995-45140	6	13
1N1995-45180	12	25
1N1995-45230	12	23
1N1995-45240	12	3
1N1995-45260	12	12
1N1995-47000	6	1
1N1995-47010	9	15
1N1995-47040	6	12
1N1995-47130	6	11
1N1995-47141	6	4
1N1995-51000	9	39
1N1995-51010	9	40
1N1995-58000	11	27
1N1995-58010	3	4
1N1995-58021	3	2
1N1995-58090	11	26
1N1995-58110	11	30

Parts No.	Fig. No.	Ref. No.
1N1995-58130	8	6
1N1995-58230	12	18
1N1995-58270	2	27
1N1995-58320	3	10
1N1995-58330	12	16
1N1995-58420	3	5
1N1995-58460	3	6
1N1995-58470	6	7
1N1995-58480	6	8
1N1995-58490	12	48
1N1995-58500	12	14
1N1995-58520	12	15
1N1995-58540	12	17
1N1995-58550	2	21
1N1995-58560	2	20
1N1995-58570	12	47
1N1995-61000	13	1
1N1995-61040	13	3
1N1995-61050	12	41
1N1995-61060	11	12
1N1995-61070	11	19
	12	44
1N1995-61080	11	18
1N1995-61090	11	15
1N1995-61100	12	38
	13	5
1N1995-61110	12	39
1N1995-61120	11	14
1N1995-61130	12	45
1N1995-61140	11	8
1N1995-61150	12	46
1N1995-61160	11	20
1N1995-61170	13	8
1N1995-61180	11	17
1N1995-64000	15	1
1N1995-65000	15	2
1N1995-65010	15	3
1N1995-66000	15	6
1N1995-66040	15	8
1N1995-66080	15	10
1N1995-68000	14	12
1N1995-68060	4	17
1N1995-68070	14	19
1N1995-68160	14	2
1N1995-68180	14	3
1N1995-68200	14	1
1N1995-68260	13	14
1N1995-68290	14	13
1N1995-68321	16	12
1N1995-68351	16	1

Parts No. Index

Parts No.	Fig. No.	Ref. No.
1N1995-68381	16	8
1N1995-68400	16	3
1N1995-68430	16	11
1N1995-68440	14	22
1N1995-68460	14	6
1N1995-68480	13	9
1N1995-68550	16	6
1N1995-68560	14	7
1N1995-93030	17	1
1N1995-93060	17	12
1N1995-93100	17	11
1N3501-35030	5	32
1N3503-25230	24	4
1N3503-25250	24	7
1N3503-35070	4	2
1N3503-53000	8	4
1N3503-53010	7	9
1N3503-53020	7	6
1N3503-66220	15	11
1N3503-93140	17	7
1N3503-93150	17	8
1N3503-93190	17	9
1N3505-25000	23	6
1N3505-93310	17	6
1N3506-24000	11	2
1N3506-35020	4	6
1N3506-41100	9	28
1N3506-41180	9	29
1N3506-93260	17	2
1N3506-93320	17	3
1N3507-21030	2	7
1N3507-61080	11	21
1N3507-61150	11	16
1N3507-93160	17	4
1N3508-21000	2	3
1N3508-24010	2	10
1N3510-61190	9	8
1N3512-61040	12	40
1N3513-45100	9	32
1N3513-45250	9	34
1N3513-58230	15	7
1N3513-61100	1	6
1N3514-42520	9	22
1N3516-21020	2	5
1N3516-41720	2	6
1N3516-45210	12	42
1N3521-25020	21	1
1N3521-25040	21	3
1N3521-25080	24	1
1N3521-26000	25	1

Parts No.	Fig. No.	Ref. No.
1N3521-26010	25	2
1N3521-68080	2	14
1N3542-26030	25	4
1N3542-26040	25	5
1N3542-36040	5	3
1N3544-61020	13	11
1N3545-21080	2	16
1N3545-21090	2	17
1N3545-24020	18	22
1N3545-36010	5	4
1N3561-36000	5	22
1N3563-93020	17	13
1N3563-93050	17	14
22137-060000	10	7
	12	36
22137-080000	1	11
	2	12
	8	2
	9	25
	11	24
	16	9
	18	6
22137-100000	2	28
		32
	14	17
	18	13
22137-120000	1	30
	5	19
	9	41
22137-160000	5	9
		27
		40
	9	12
22137-180000	13	12
22217-050000	12	32
22217-060000	9	21
	20	10
	24	3
22217-080000	2	26
		31
	18	8
22217-100000	5	34
	9	5
	12	10
	18	14
		17
22217-120000	1	4
		18
	5	20
	9	14

Parts No.	Fig. No.	Ref. No.
22217-120000	18	12
22217-160000	4	13
	5	10
		28
		41
	14	10
22242-000120	7	5
	10	3
22242-000140	24	5
22242-000150	1	29
	19	5
22242-000180	1	7
22242-000200	5	6
	14	5
22242-000250	4	5
22242-000280	22	7
22242-000300	23	7
22252-000550	23	5
22351-050025	9	37
22360-100000	14	23
22360-180000	13	10
22417-250200	8	3
	10	8
	12	30
	16	10
22417-400400	13	13
22550-050100	22	6
22550-050150	12	8
22550-050201	20	5
22550-050250	2	4
24101-060024	20	3
24101-060034	19	2
	21	5
24101-060044	5	5
	22	8
24101-060054	4	3
24101-060064	23	4
24104-060044	14	4
24421-153007	20	4
24421-173007	21	6
24421-204212	5	7
24421-354707	4	4
24761-010000	1	19
24761-060000	5	13
		23
		31
	14	16
	16	15
25123-003201	2	2
25123-005501	12	7

Parts No.	Fig. No.	Ref. No.
26016-060144	24	9
26018-060164	1	25
	2	9
		22
	3	9
	11	28
	12	19
26018-080164	1	14
	2	19
26018-080204	1	27
	3	8
	6	5
	8	7
	9	33
	10	10
	11	10
	12	2
26018-100252	15	9
26018-100254	4	9
	12	4
	13	4
	14	24
	16	13
26051-060002	1	23
	2	8
	6	16
	11	5
	12	37
26051-080002	1	12
	2	13
	9	26
	11	25
26051-100002	2	29
	5	33
	6	3
	14	18
	16	7
26116-060352	12	35
26116-080254	2	30
26116-080304	2	25
26116-081302	11	22
26117-050204	12	31
26117-060304	6	14
26117-060354	1	21
26117-080304	9	24
26117-080452	11	23
26117-080602	18	21
26117-081102	18	10
26117-100164	12	11
26117-100254	15	4

Parts No. Index

Parts No.	Fig. No.	Ref. No.
26117-100254	18	18
26117-100702	5	36
	9	3
26117-101002	12	26
26117-101202	18	19
26117-161504	4	11
26347-100002	12	27
26367-060002	1	22
	2	23
	6	10
	7	4
	9	19
	11	6
	12	20
26367-080002	6	6
	10	11
	11	11
26367-100002	4	10
	12	5
	14	21
26557-060162	9	20
	20	11
26557-060452	24	2
26717-050002	12	33
26717-080002	18	9
26717-100002	9	4
26717-120002	1	3
		17
	5	21
	18	11
26717-160002	5	42
	9	13
	14	9
26757-060002	6	15
26757-080002	1	10
26757-100002	9	6
	15	5
26757-120002	9	16
26757-160002	4	12
	5	11
		29
	14	11
26979-060082	9	38
7N1995-24000	11	1
7N1995-61000	12	1
7N1995-61010	12	34
7N3503-25000	24	8
7N3542-35000	4	1
7N3542-36000	5	2
7N3542-36010	5	1

Parts No.	Fig. No.	Ref. No.
7N3560-36001	5	14

Parts No.	Fig. No.	Ref. No.
-----------	----------	----------

Parts No.	Fig. No.	Ref. No.
-----------	----------	----------